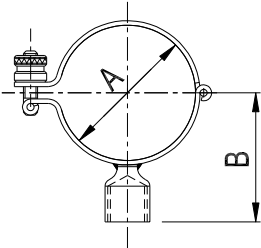


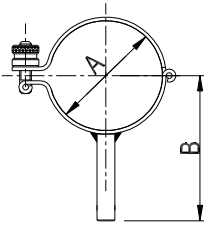
## PIPE HANGERS & ACCESSORIES

The BKS and the Double bolted are our standard type from stock with many others available on request

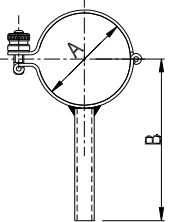
### BKS CLIP      Round Hinged Hanger With 1/2" BSP ROUND SOCKET      304

SIZE TUBE O.D.	A	B	1/2" & 3/4" PIPE SIZES USE 1" CLIP WITH INSERT. Inserts available for tube up to 4" O.D.
	mm	mm	
1/2"	12.7	47.5	
3/4"	19.0	47.5	
1"	25.4	47.5	
1 1/2"	38.1	54.0	
2"	50.8	60.0	
2 1/2"	63.5	66.5	
3"	76.2	73.0	
3 1/2"	88.9	79.0	
4"	101.6	85.5	
4 1/2"	114.3	92.0	

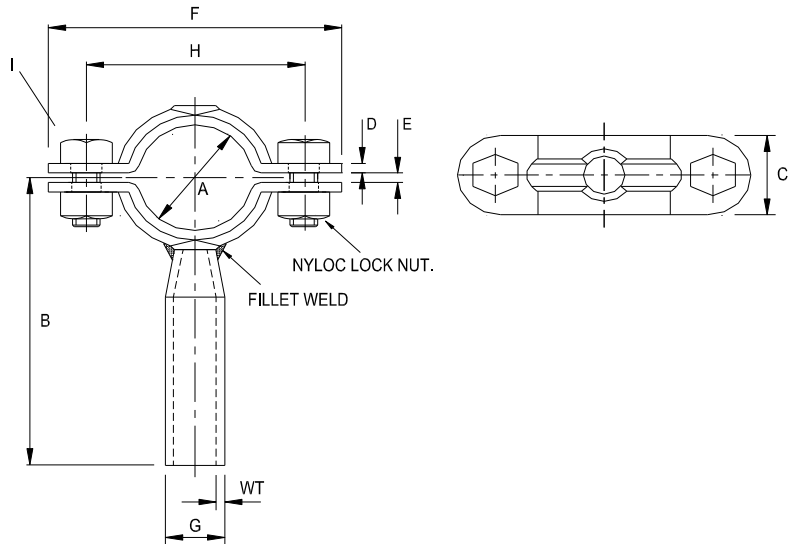
### BKB CLIP      Round Hinged Hanger With Ø12 x60mm Long Bar. 304      (optional rod lengths available)

SIZE TUBE O.D.	A	B	1/2" & 3/4" PIPE SIZES USE 1" CLIP WITH INSERT. Inserts available for tube up to 4" O.D.
	mm	mm	
1/2"	12.7	75.5	
3/4"	19.0	75.5	
1"	25.4	75.5	
1 1/2"	38.1	82.0	
2"	50.8	88.0	
2 1/2"	63.5	94.5	
3"	76.2	101.0	
3 1/2"	88.9	107.0	
4"	101.6	113.5	
4 1/2"	114.3	120.0	

### BKT CLIP      Round Hinged Hanger With Ø12 Tube.      304

SIZE TUBE O.D.	A	B	1/2" & 3/4" PIPE SIZES USE 1" CLIP WITH INSERT. Inserts available for tube up to 4" O.D.
	mm	mm	
1/2"	12.7	90.0	
3/4"	19.0	90.0	
1"	25.4	90.0	
1 1/2"	38.1	90.0	
2"	50.8	90.0	
2 1/2"	63.5	90.0	
3"	76.2	90.0	
3 1/2"	88.9	90.0	
4"	101.6	90.0	
4 1/2"	114.3	90.0	

**DOUBLE BOLTED PIPE CLIPS OD 1/2" - 6"**



**THE OD PIPE CLIP COMES WITH A BLUE INSERT.**

Alternative connections also available.

**INSERT IS 2.5MM THICK TO ACCOMMODATE O.D. TUBE SIZE  
AND IS OK UP 100DEG C**

SIZE	A	B	C	D	E	F	G - WT	H	I
1/2"	18.00	90.00	25.00	3.00	3.00	85.00	19.00 / 1.60	63.00	M8
3/4"	24.00	90.00	25.00	3.00	3.00	85.00	19.00 / 1.60	63.00	M8
1"	30.00	90.00	25.00	3.00	3.00	85.00	19.00 / 1.60	63.00	M8
1.1/2"	43.00	90.00	25.00	3.00	3.00	100.00	19.00 / 1.60	78.00	M8
2"	56.00	90.00	25.00	3.00	3.00	115.00	19.00 / 1.60	93.00	M8
2.1/2"	69.00	90.00	25.00	3.00	3.00	127.00	19.00 / 1.60	105.00	M8
3"	81.00	90.00	25.00	3.00	3.00	144.00	19.00 / 1.60	122.00	M8
4"	106.00	90.00	25.00	3.00	3.00	170.00	19.00 / 1.60	148.00	M8
5"	130.00	130.00	25.00	3.00	3.00	195.00	19.00 / 1.60	172.00	M8
6"	155.00	145.00	25.00	3.00	3.00	217.00	19.00 / 1.60	192.00	M8