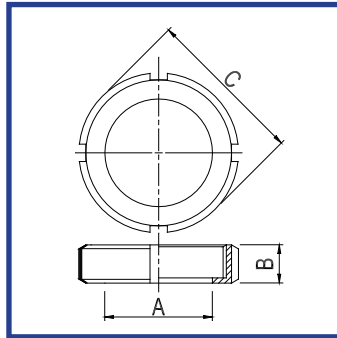
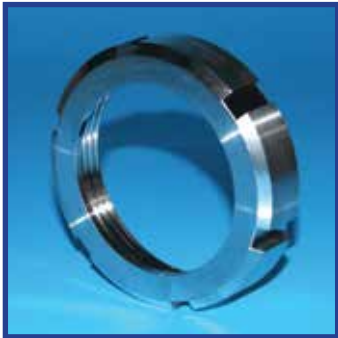
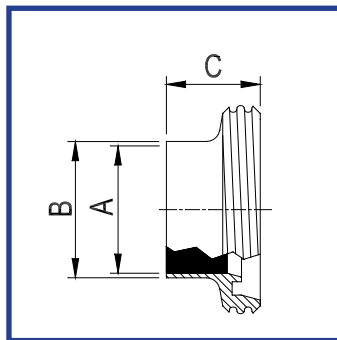


DIN SLOTTED ROUND NUT 304 (4 SLOTS)



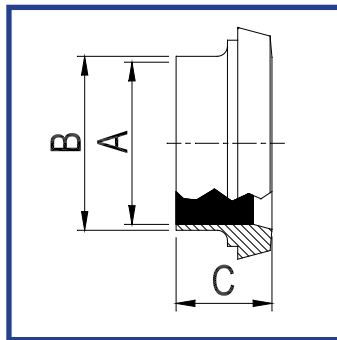
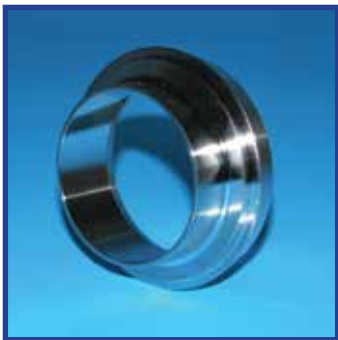
STOCK CODE	SIZE	A (MM)	B (MM)	C (MM)
DN1	1"	36.00	21.00	63.00
DN112	1 1/2"	49.00	21.00	78.00
DN2	2"	62.00	22.00	92.00
DN212	2 1/2"	80.00	25.00	112.00
DN3	3"	94.00	30.00	127.00
DN4	4"	115.00	31.00	148.00

DIN WELD MALE 316L, 304



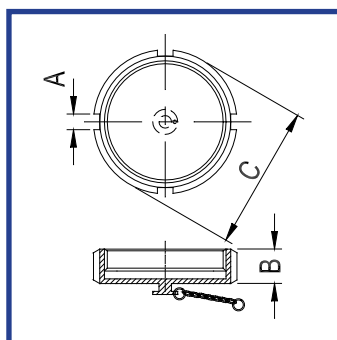
STOCK CODE	SIZE	A (MM)	B (MM)	C (MM)
DWM1	1"	22.20	25.65	29.00
DWM112	1 1/2"	34.90	38.35	33.00
DWM2	2"	47.60	51.05	35.00
DWM212	2 1/2"	60.30	63.75	40.00
DWM3	3"	73.00	76.45	45.00
DWM4	4"	97.60	101.85	54.00

DIN WELD LINER 316L, 304

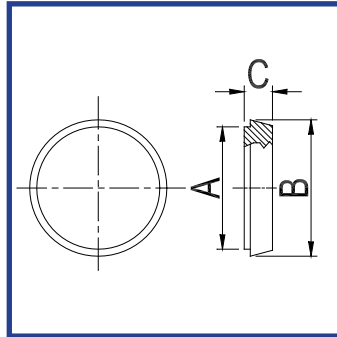
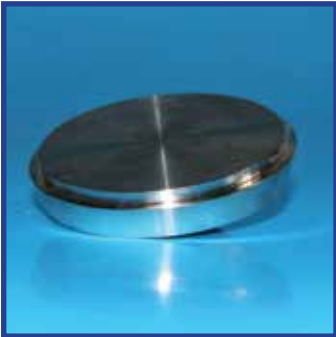


STOCK CODE	SIZE	A (MM)	B (MM)	C (MM)
DWL1	1"	22.20	25.65	22.00
DWL112	1 1/2"	34.90	38.35	26.00
DWL2	2"	47.60	51.05	28.00
DWL212	2 1/2"	60.30	63.75	32.00
DWL3	3"	73.00	76.45	37.00
DWL4	4"	97.60	101.85	44.00

DIN METRIC BLANK NUT & CHAIN 304

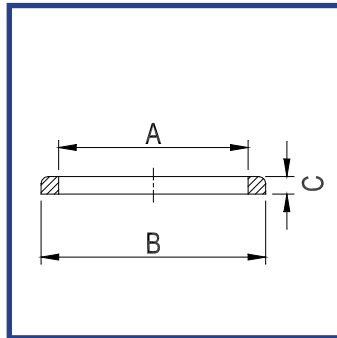


STOCK CODE	SIZE	B (MM)	C (MM)	D (MM)
N/A	1"	8.00	21.00	63.00
N/A	1 1/2"	10.00	21.00	78.00
N/A	2"	10.00	22.00	92.00
N/A	2 1/2"	10.00	25.00	112.00
N/A	3"	10.00	30.00	127.00
N/A	4"	12.00	31.00	148.00



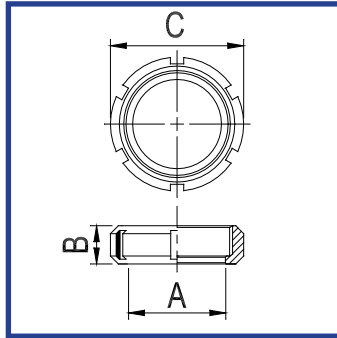
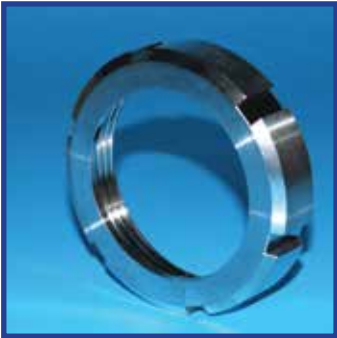
DIN BLANK CAP 316L, 304

STOCK CODE	SIZE	A (MM)	B (MM)	C (MM)
DBC1	1"	35.00	44.00	13.00
DBC112	1 1/2"	48.00	56.00	13.00
DBC2	2"	61.00	68.50	14.00
DBC212	2 1/2"	79.00	86.00	16.00
DBC3	3"	93.00	100.00	16.00
DBC4	4"	114.00	121.00	20.00



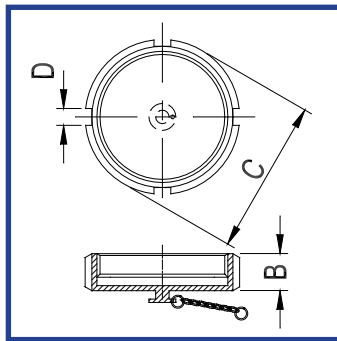
DIN SEAL (NITRILE,EPDM,SILICONE,VITON)

STOCK CODE	SIZE	A (MM)	B (MM)	C (MM)
N/A	1"	30.00	40.00	5.00
N/A	1 1/2"	42.00	52.00	5.00
N/A	2"	54.00	64.00	5.00
N/A	2 1/2"	71.00	81.00	5.00
N/A	3"	85.00	95.00	5.00
N/A	4"	105.00	115.00	6.00



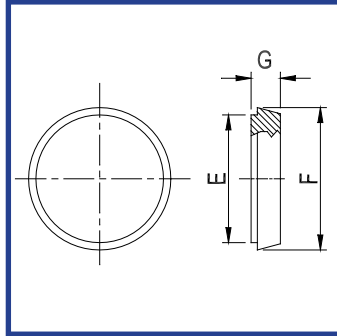
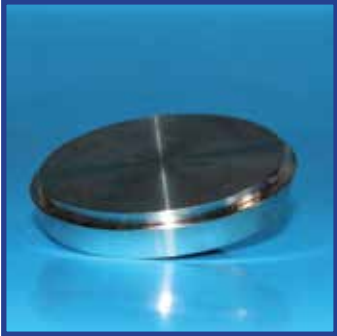
DIN SLOTTED ROUND NUT 304 (4 SLOTS)

STOCK CODE	SIZE	A (MM)	B (MM)	C (MM)
DN10	DN10	19.00	18.00	38.00
DN15	DN15	25.00	18.00	44.00
DN20	DN20	31.00	21.00	54.00
DN1	DN25	36.00	21.00	63.00
DN114	DN32	42.00	21.00	70.00
DN112	DN40	49.00	21.00	78.00
DN2	DN50	62.00	25.00	92.00
DN212	DN65	80.00	25.00	112.00
DN3	DN80	94.00	30.00	127.00
DN4	DN100	115.00	31.00	148.00
DN5	DN125	138.00	35.00	178.00
DN6	DN150	164.00	40.00	210.00



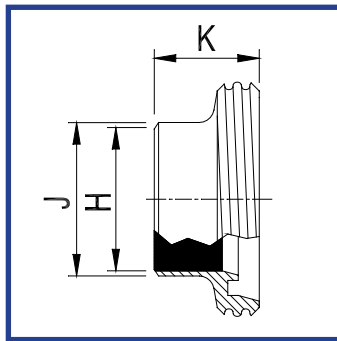
DIN ROUND BLANK NUT & CHAIN 304 (4 SLOTS)

STOCK CODE	SIZE	B (MM)	C (MM)	D (MM)
N/A	DN10	18.00	38.00	6.00
N/A	DN15	18.00	44.00	7.00
N/A	DN20	21.00	54.00	7.00
N/A	DN25	21.00	63.00	8.00
N/A	DN32	21.00	70.00	8.00
N/A	DN40	21.00	78.00	10.00
N/A	DN50	25.00	92.00	10.00
N/A	DN65	25.00	112.00	10.00
N/A	DN80	30.00	127.00	10.00
N/A	DN100	31.00	148.00	12.00
N/A	DN125	35.00	178.00	12.00
N/A	DN150	40.00	210.00	12.00



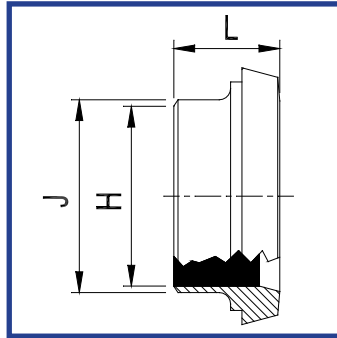
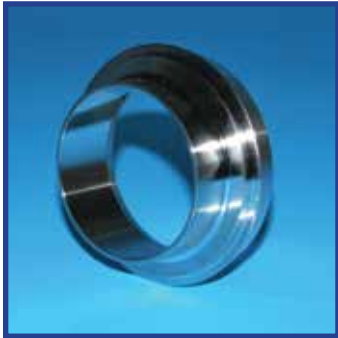
DIN BLANK CAP 316L, 304

STOCK CODE	SIZE	E (MM)	F (MM)	G (MM)
DBC10	DN10	18.00	22.50	9.00
DBC15	DN15	24.00	28.50	9.00
DBC20	DN20	30.00	36.50	11.00
DBC1	DN25	35.00	44.00	13.00
DBC114	DN32	41.00	50.00	13.00
DBC112	DN40	48.00	56.00	13.00
DBC2	DN50	61.00	68.50	14.00
DBC212	DN65	79.00	86.00	16.00
DBC3	DN80	93.00	100.00	16.00
DBC4	DN100	114.00	121.00	20.00
N/A	DN125	137.00	150.00	22.00
N/A	DN150	163.00	176.00	24.00



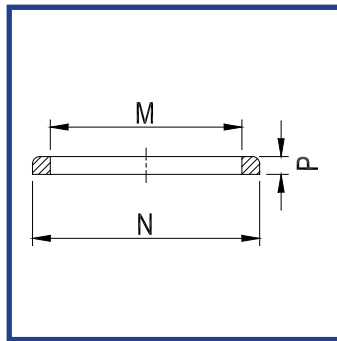
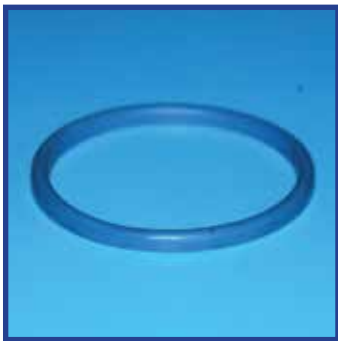
DIN WELD MALE 316L, 304

STOCK CODE	SIZE	H (MM)	J (MM)	K (MM)
DM1	DN10	10.00	15.00	21.00
DM15	DN15	16.00	21.00	21.00
DM20	DN20	20.00	25.00	24.00
N/A	DN25	26.00	31.00	29.00
DM114	DN32	32.00	37.00	32.00
N/A	DN40	38.00	43.00	33.00
N/A	DN50	50.00	55.00	35.00
N/A	DN65	66.00	72.00	40.00
DWM80	DN80	81.00	87.00	45.00
DWM100	DN100	100.00	106.00	54.00
DWM5	DN125	125.00	132.00	46.00
DWM6	DN150	150.00	157.00	50.00



DIN WELD LINER 316L, 304

STOCK CODE	SIZE	H (MM)	J (MM)	L (MM)
DL10	DN10	10.00	15.00	17.00
DL15	DN15	16.00	21.00	17.00
DL20	DN20	20.00	25.00	18.00
N/A	DN25	26.00	31.00	22.00
DL114	DN32	32.00	37.00	25.00
N/A	DN40	38.00	43.00	26.00
N/A	DN50	50.00	55.00	28.00
N/A	DN65	66.00	72.00	32.00
N/A	DN80	81.00	87.00	37.00
N/A	DN100	100.00	106.00	44.00
DWL5	DN125	125.00	132.00	34.00
DWL6	DN150	150.00	157.00	37.00



DIN SEAL (NITRILE, EPDM, SILICONE, VITON)

STOCK CODE	SIZE	M (MM)	N (MM)	P (MM)
N/A	DN10	12.00	20.00	4.50
N/A	DN15	18.00	26.00	4.50
N/A	DN20	23.00	33.00	4.50
N/A	DN25	30.00	40.00	5.00
N/A	DN32	36.00	46.00	5.00
N/A	DN40	42.00	52.00	5.00
N/A	DN50	54.00	64.00	5.00
N/A	DN65	71.00	81.00	5.00
N/A	DN80	85.00	95.00	5.00
N/A	DN100	104.00	114.00	6.00
N/A	DN125	130.00	142.00	7.00
N/A	DN150	155.00	167.00	7.00