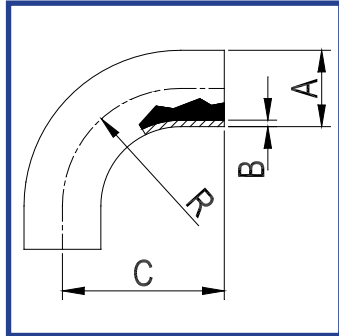


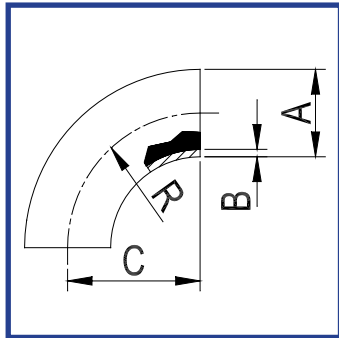
**90 DEG LONG 1.5D BEND 304,304L,316,316L  
(Note :- 1" – 4" TO BS 4825)**



**3D & 2D BENDS AVAILABLE UPON REQUEST**

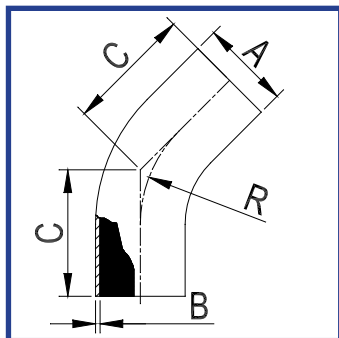
STOCK CODE	SIZE	A (MM)	B (MM)	C (MM)	R (MM)
9012BP6	½"	12.7	1.65	76.2	19.1
9034BP6	¾"	19.0	1.65	76.2	28.6
901BP6	1"	25.4	1.65	65.0	38.1
90114-BP6	1 ¼"	31.8	1.65	80.0	47.70
90112-BP6	1½"	38.1	1.65	85.0	57.2
902BP6	2"	50.8	1.65	110.0	76.2
90212-BP6	2½"	63.5	1.65	135.0	95.3
903BP6	3"	76.2	1.65	155.0	114.3
904BP6	4"	101.6	2.11	195.0	152.4

**90 DEG SHORT BS 1.5D BEND 304,304L,316,316L**



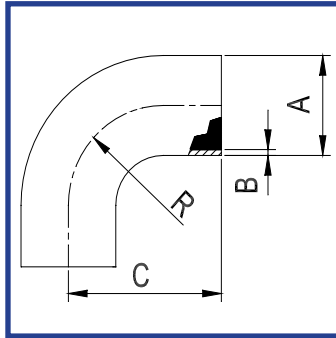
STOCK CODE	SIZE	A (MM)	B (MM)	C (MM)	R (MM)
901BSBP6	1"	25.4	1.65	43.5	38.1
90112-BSBP6	1½"	38.1	1.65	63.5	57.2
902BSBP6	2"	50.8	1.65	88.5	76.2
90212-BSBP6	2½"	63.5	1.65	113.5	95.3
903BSBP6	3"	76.2	1.65	133.5	114.3
904BSBP6	4"	101.6	2.11	173.5	152.4

**45 DEG LONG 1.5D BEND 304,304L,316,316L**



STOCK CODE	SIZE	A (MM)	B (MM)	C (MM)	R (MM)
4512BP6	1/2"	12.70	1.60	TBA	38.10
4534BP6	3/4"	19.05	1.60	TBA	57.10
451BP6	1"	25.4	1.65	30.2	38.1
45112-BP6	1½"	38.1	1.65	41.3	57.2
452BP2	2"	50.8	1.65	58.7	76.2
45212-BP6	2½"	63.5	1.65	76.2	95.3
453BP6	3"	76.2	1.65	93.7	114.3
454BP6	4"	101.6	2.11	122.2	152.4

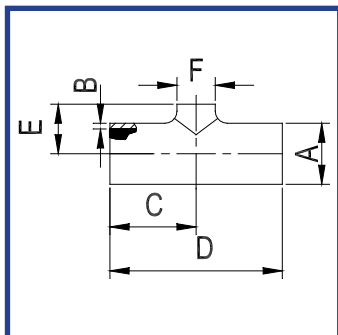
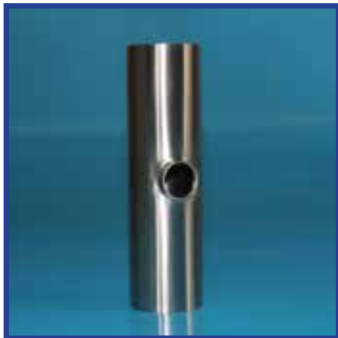
**90 DEG 1 D BEND 304,304L,316,316L**



STOCK CODE	SIZE	A (MM)	B (MM)	C (MM)	R (MM)
901D16-G1BP6	1"	25.4	1.5	55.0	32.0
901D16-G112BP6	1½"	38.1	1.5	70.0	45.0
901D16-G2BP6	2"	50.8	1.5	82.0	58.0
901D212-BP6	2½"	63.5	1.5	105.0	70.0
901D3-BP6	3"	76.2	1.6	110.0	76.0
901D4-BP6	4"	101.6	2.11	173.5	152.4

**BS4825 PART 2 HYGIENIC  
PULLED REDUCING TEES**

**AS PULLED REDUCING TEES 304,304L,316,316L**



STOCK CODE	SIZE	A (MM)	B (MM)	C (MM)	D (MM)	E (MM)	F (MM)
N/A	1½" x 1"	38.1	1.6	63.5	127	22	25.4
N/A	2" x 1"	50.8	1.6	88.5	177	29	25.4
N/A	2" x 1½"	50.8	1.6	88.5	177	29	38.1
N/A	2½" x 1"	63.5	1.6	113.5	227	35	25.4
N/A	2½" x 1½"	63.5	1.6	113.5	227	35	38.1
N/A	2½" x 2"	63.5	1.6	113.5	227	35	50.8
N/A	3" x 1½"	76.2	1.6	133.5	267	41	38.1
N/A	3" x 2"	76.2	1.6	133.5	267	41	50.8
N/A	3" x 2½"	76.2	1.6	133.5	267	41	63.5
N/A	4" x 2"	101.6	2.1	173.5	347	55	50.8
N/A	4" x 2½"	101.6	2.1	173.5	347	55	63.5
N/A	4" x 3"	101.6	2.1	173.5	347	55	76.2