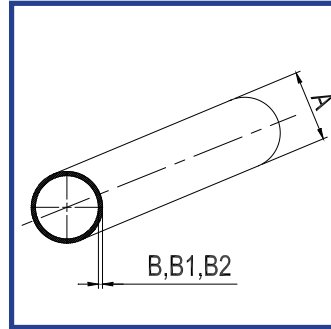
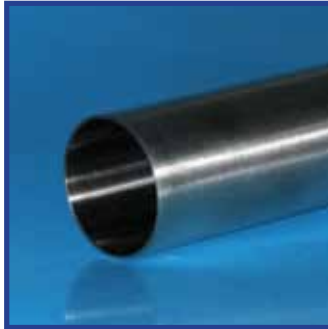
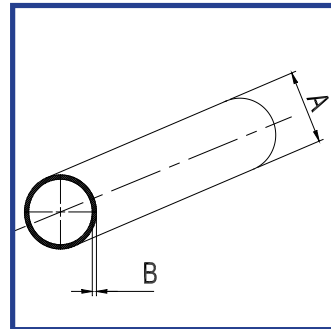


# HYGIENIC WELDED AUSTENITIC STAINLESS TUBE



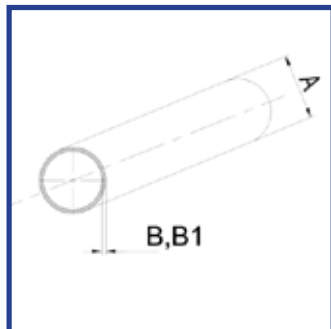
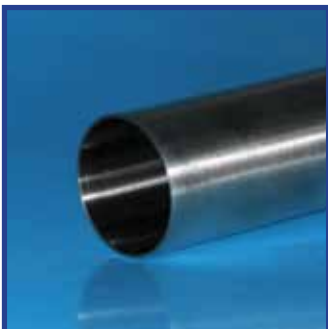
## EN 10357 (DIN 11850) TUBE 304,304L,316,316L

STOCK CODE	SIZE	A (MM)	B (MM)	B1 (MM)	B2 (MM)
T6P12	1/2"	12.7	1.65	-	-
T6P34	3/4"	19.0	1.65	-	-
T6P1	1"	25.4	1.65	1.25	1.5
T6P112	1 1/2"	38.1	1.65	1.25	1.5
T6P2	2"	50.8	1.65	1.25	1.5
T6P212	2 1/2"	63.5	1.65	1.5	1.5
T6P3	3"	76.2	1.65	1.6	1.6
T6P4	4"	101.6	2.11	1.5	2.0
T6D5	5"	129.00	2.00	-	-
T6D6	6"	154.00	1.50	2.00	2.00
T6D8	8"	204.00	2.00	-	-



## 3A A270 TUBE & A270 S2 316L BPE TUBE

STOCK CODE	SIZE	A (INS)	A (MM)	B (MM)	B (MM)
BPETU12	1/2"	12.7	1.65	0.065"	1.65
BPETU34	3/4"	19.0	1.65	0.065"	1.65
BPETU1	1"	1.0"	25.4	0.065"	1.65
BPETU112	1 1/2"	1.5"	38.1	0.065"	1.65
BPETU2	2"	2.0"	50.8	0.065"	1.65
BPETU212	2 1/2"	2.5"	63.5	0.065"	1.65
BPETU3	3"	3.0"	76.2	0.065"	1.65
BPETU4	4"	4.0"	101.6	0.083"	2.11
BPETU6	6"	6.0"	152.4	0.109"	2.77



## EN 10357 TUBE DIN 11850

STOCK CODE	SIZE	A (MM)	B (MM)	B1 (MM)
N/A	DN25	28.00	1.00	1.50
N/A	DN32	34.00	1.00	1.50
N/A	DN40	40.00	1.00	1.50
N/A	DN50	52.00	1.00	1.50
N/A	DN65	70.00	2.00	2.00
N/A	DN80	85.00	2.00	2.00
N/A	DN100	104.00	2.00	2.00