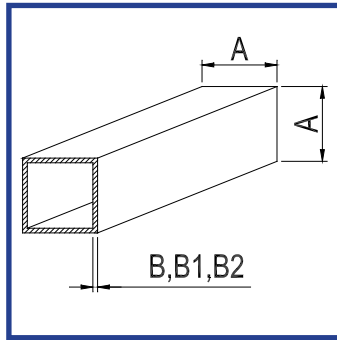
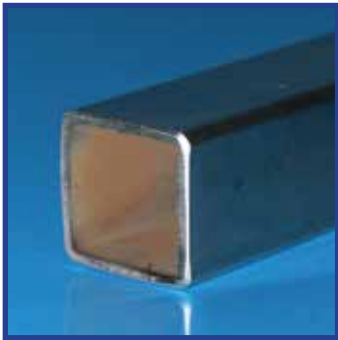


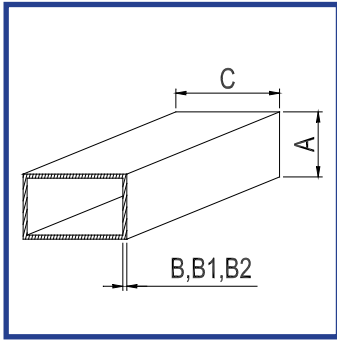
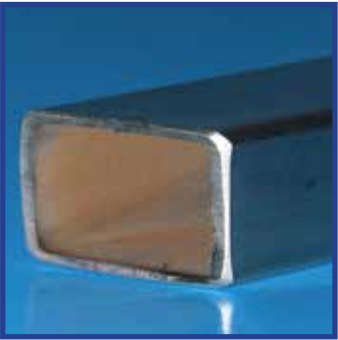
SECTION, FLAT AND ANGLE ASTM A554

SQUARE BOX SECTION 304, 316 ASTM A554



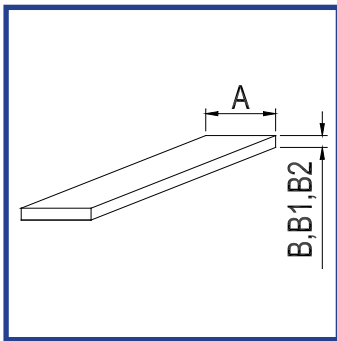
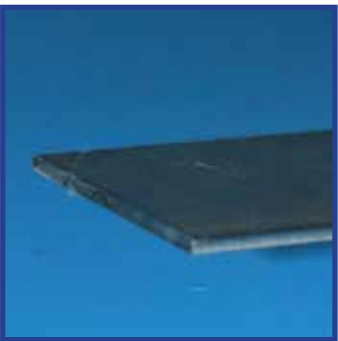
STOCK CODE	SIZE	A (MM)	B (MM)	C (MM)
BOX1	25.0 x 25.0	1.5	2.0-	-
BOX114	30.0 x 30.0	1.5	-	-
BOX112	40.0 x 40.0	1.5	2.0	3.0
BOX2	50.0 x 50.0	1.5	2.0	3.0
BOX3	80.0 x 80.0	-	2.0	3.0
BOX4/3	100.0 x 100.0	-	3.0	5.0
N/A	150.0 x 150.0	-	3.0	5.0

RECTANGULAR BOX SECTION 304, 316 ASTM A554



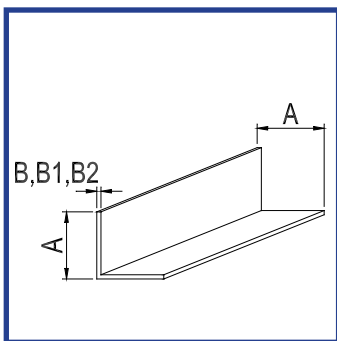
STOCK CODE	SIZE	A (MM)	B (MM)	C (MM)
N/A	40.0 x 20.0	1.5	-	-
N/A	50.0 x 25.0	1.5	2.0	-
N/A	60.0 x 30.0	-	2.0	3.0
N/A	80.0 x 40.0	-	2.0	3.0
N/A	100.0 x 50.0	-	3.0	5.0

FLAT BAR 304, 316BS970 Part 4



STOCK CODE	A (MM)	B (MM)	B1 (MM)	B2 (MM)
FB20	20.0	3.0	5.0	6.0
FB1	25.0	3.0	5.0	6.0
FB30	30.0	3.0	5.0	6.0
FB112	40.0	3.0	5.0	6.0
FB2	50.0	3.0	5.0	6.0

ANGLE 304, 316, 316L BS970 Part 1



STOCK CODE	A (MM)	B (MM)	B1 (MM)	B2 (MM)
A1/1/184	25.0 x 25.0	3.0	5.0	6.0
A112/112/184	40.0 x 40.0	4.0	5.0	6.0
A2/2/184	50.0 x 50.0	-	5.0	6.0
N/A	80.0 x 80.0	-	6.0	8.0
N/A	100.0 x 100.0	-	6.0	8.0