

Our V-TEK™ Hygienic Sight Glasses

V-TEK™ Sight Glasses have proven functionality and reliability. Our popular design makes this product easy to assemble/disassemble and hygienic.

Special Features:-

- Unique Hygienic Design
- Easy to assemble/disassemble
- PYREX® Borosilicate glass which is a low alkali borosilicate heat resistant glass.
- Compared with other glasses, corrosion of PYREX® borosilicate glass by acids and distilled water is extremely low. It is the best and most suitable glass for Laboratory use.
- It offers excellent thermal properties with its coefficient of expansion being 1/3 of other commercial glass, meaning high resistance to thermal shock.
- Full specification sheet for PYREX® Borosilicate available on request.

General Characteristics:-

Diameters:

INCH: 1" – 1.5" – 2" – 2.5" – 3" – 4"

MM: 25 - 38 - 51 - 63.5 - 76 - 104

Materials:

Flange -Forged 316L Stainless Steel

Glass -PYREX® Borosilicate

Seal -Food grade Epdm, Silicone, Viton

Standards:

BS & 3A

RJT - BS4825 Part 5

IDF - BS4825 Part 4

SMS - SMS 1148, 1147, 1146

DIN - DIN 11851

US3A - Clamp

Sight Glass Ends:

Weld/weld

Male/Male

Male/Female

Clamp/Ferrule

Service Ratings:

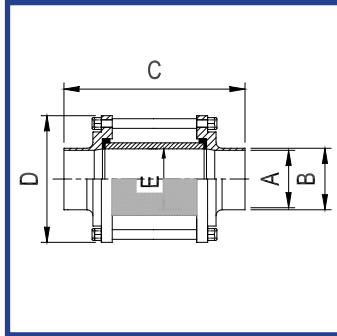
1" – 3" Max.Pressure = 10 Bar

4" Max Pressure = 10 Bar



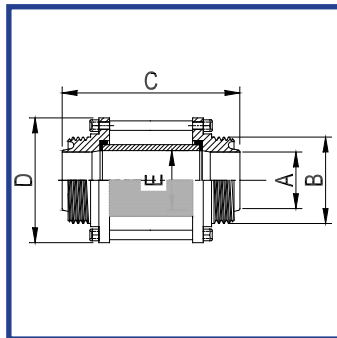
These ratings depend on type of seal used and line temperature.

Each Sight Glass undergoes high and low pressure testing before leaving the factory.



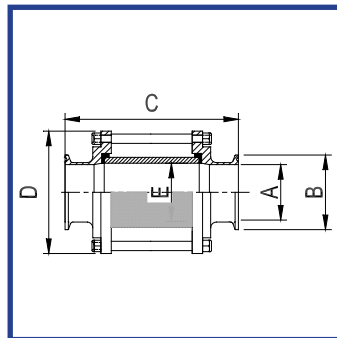
V-TEK™ HYGIENIC SIGHT GLASS BS-3A-WELD/WELD 316

STOCK CODE	SIZE	A (MM)	B (MM)	C (MM)	D (MM)	E (MM)
VTSG12	1/2"	9.5	12.7	106.0	47.0	10.0
VGSG34	3/4"	15.8	19.0	106.0	47.0	17.0
VTSG1	1"	22.1	25.4	150.0	79.0	26.0
VTSG112	1 ½"	34.7	38.1	158.0	85.0	34.0
VTSG2	2"	47.6	50.8	162.0	105.0	50.0
VTSG212	2 ½"	60.2	63.5	162.0	112.0	65.0
VTSG3	3"	72.9	76.2	164.0	125.0	75.4
VTSG4	4"	97.6	101.6	169.0	157.0	100.0



V-TEK™ HYGIENIC SIGHT GLASS RJT MALE/MALE 316

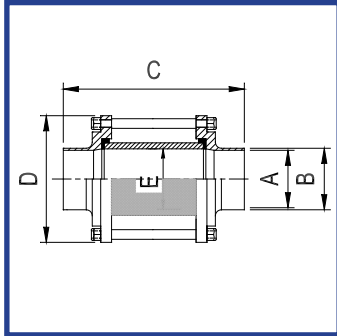
STOCK CODE	SIZE	A (MM)	B (MM)	C (MM)	D (MM)	E (MM)
N/A	1"	22.1	45.72 x 8 Whit	150.0	79.0	26.0
N/A	1 ½"	34.7	58.42 x 8 Whit	158.0	85.0	34.0
N/A	2"	47.6	72.72 x 6 Whit	162.0	105.0	50.0
N/A	2 ½"	60.2	85.42 x 6 Whit	162.0	112.0	65.0
N/A	3"	72.9	98.12 x 6 Whit	164.0	125.0	75.4
N/A	4"	97.6	123.52 x 6 Whit	182.0	157.0	100.0



V-TEK™ HYGIENIC SIGHT GLASS BS-3A-CLAMP/CLAMP 316

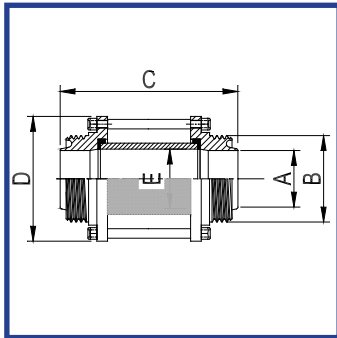
STOCK CODE	SIZE	A (MM)	B (MM)	C (MM)	D (MM)	E (MM)
N/A	1"	22.1	50.5	143.0	79.0	26.0
N/A	1 ½"	34.9	50.5	153.0	85.0	34.0
N/A	2"	47.5	64.0	157.0	105.0	50.0
N/A	2 ½"	60.2	77.5	157.0	112.0	65.0
N/A	3"	72.9	91.0	159.0	125.0	75.4
N/A	4"	97.6	119.0	165.0	157.0	100.0

V-TEK™ HYGIENIC SIGHT GLASS SMS-WELD/WELD 316



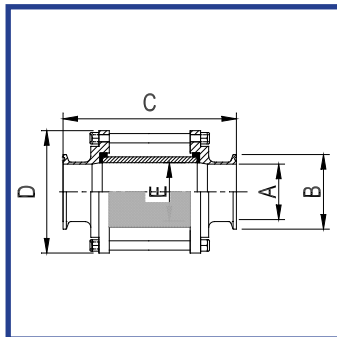
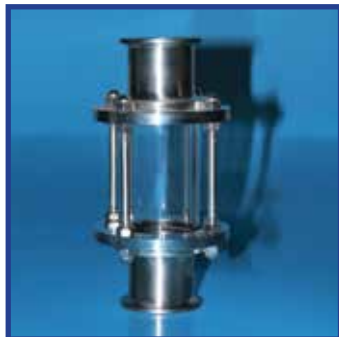
STOCK CODE	SIZE	A (MM)	B (MM)	C (MM)	D (MM)	E (MM)
N/A	25mm	22.5	25.0	148.0	79.0	26.0
N/A	38mm	35.4	38.0	156.0	85.0	34.0
N/A	51mm	48.0	51.0	160.0	105.0	50.0
N/A	63.5mm	60.2	63.5	160.0	112.0	65.0
N/A	76mm	72.0	76.1	162.0	125.0	75.4
N/A	104mm	100.0	104.0	168.0	157.0	100.0

V-TEK™ HYGIENIC SIGHT GLASS SMS MALE/MALE 316



STOCK CODE	SIZE	A (MM)	B (MM)	C (MM)	D (MM)	E (MM)
N/A	25mm	22.5	RD40 x 1/6	150.0	79.0	26.0
N/A	38mm	35.4	RD60 x 1/6	158.0	85.0	34.0
N/A	51mm	48.0	RD70 x 1/6	162.0	105.0	50.0
N/A	63.5mm	60.2	RD85 x 1/6	162.0	112.0	65.0
N/A	76mm	72.0	RD98 x 1/6	164.0	125.0	75.4
N/A	104mm	100.0	RD125 x 1/4	182.0	157.0	100.0

V-TEK™ HYGIENIC SIGHT GLASS SMS-CLAMP/CLAMP 316



STOCK CODE	SIZE	A (MM)	B (MM)	C (MM)	D (MM)	E (MM)
N/A	25mm	22.5	50.5	145.0	79.0	26.0
N/A	38mm	35.4	50.5	153.0	85.0	34.0
N/A	51mm	48.0	64.0	157.0	105.0	50.0
N/A	63.5mm	60.2	77.5	157.0	112.0	65.0
N/A	76mm	72.0	91.0	159.0	125.0	75.4
N/A	104mm	100.0	119.0	165.0	157.0	100.0