

## V-TEK™ Hygienic Ball Valves

V-TEK™ Ball Valves have proven functionality and reliability.

V-TEK™ valves are used extensively in all Hygienic Process Industries.

### Special Features:

- Superior Hygienic Design
- 2 way, 3 way and L port and T port available.
- Full cavity PTFE seat.
- ISO mount plate.
- Easy to assemble/disassemble
- Low Torque - longer Seal Life
- 100% Air tested under water at 100psi in open and close position.
- Hydrostatic test pressure ¼" to 2" 1500psi and 2 ½" – 4" 1,200psi.

### General Characteristics:-

#### Diameters:

INCH: 1/2" – 3/4" - 1" – 1.5" – 2" – 2.5" – 3" – 4"

#### Materials:

Valve body - 316/316L Stainless Steel

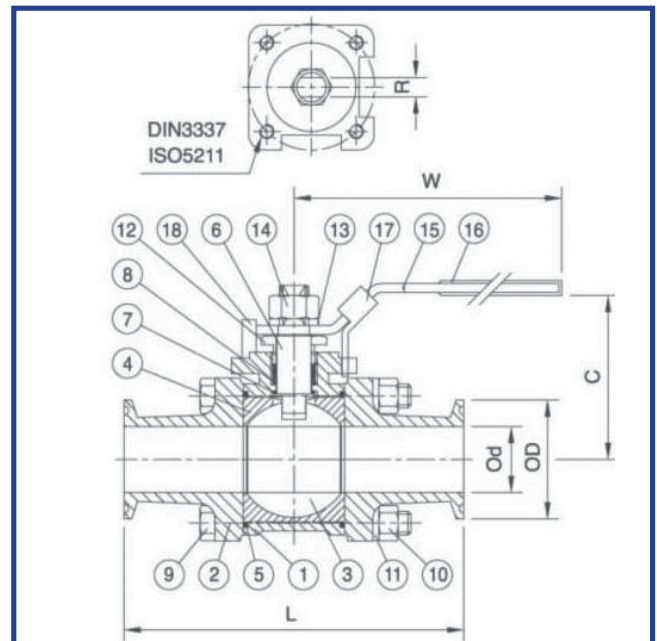
Finish - All wetted surfaces are polished <0.6 Ra

Seals - Food Grade PTFE

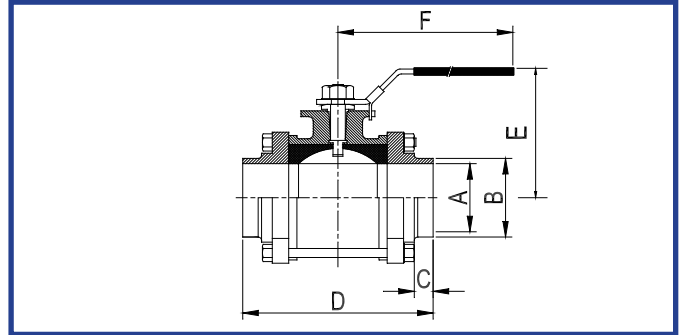
#### Standard Valve Ends:

Weld end, RJT, IDF, SMS, DIN, Clamp Ferrule

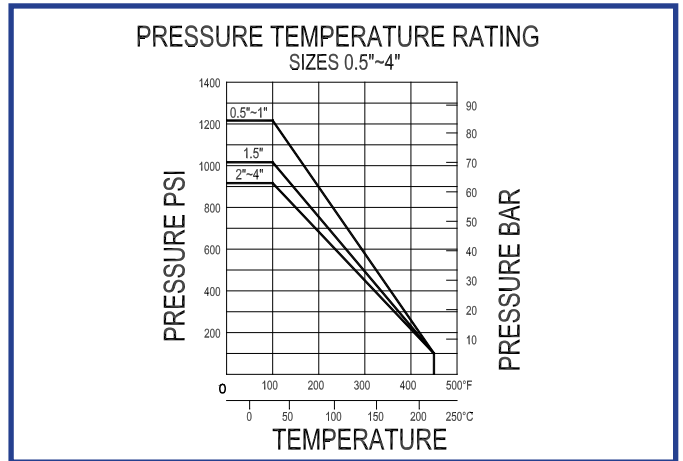
ITEM	SIZE	A (MM)
1	BODY	ASTM-A351-CF8M
2	CAP	ASTM-A351-CF8M
3	BALL	A351-CF8M
4	SEAT	PTFE
5	GASKET	PTFE
6	STEM	316
7	THRUST WASHER	PTFE
8	STEM PACKING	PTFE
9	BOLT	304
10	NUT	304
11	BOLT WASHER	304
12	GLAND	304
13	WASHER	304
14	NUT	304
15	HANDLE	304
16	PLASTIC COVER	PLASTIC
17	LOCK DEVICE	304
18	STOP PIN	304



**V-TEK™ HYGIENIC BALL VALVE STAINLESS STEEL 316, 316L**

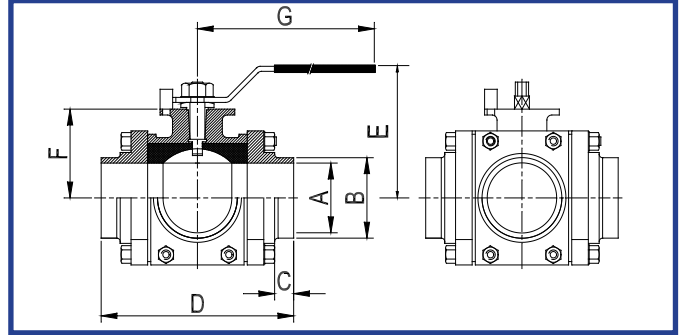


- FULL BORE 3 PIECE HYGIENIC CONSTRUCTION.
- SUITABLE FOR PNEUMATIC / ELECTRICAL ACTUATION MOUNTED ON ISO 5211 FLANGE.
- LONG WELDING ENDS SUITABLE FOR ORBITAL WELDING.
- LOCKING DEVICE FOR OPEN / CLOSED POSITIONS.
- ANTI-BLOWOUT STEM DESIGN.
- AVAILABLE WITH ANY FITTING OR FLANGE CLAMP\RTJ\IDF\SMS\DIN\ISO\ASA.
- BALL ENCAPSULATED WITH FULL CAVITY SEAT PTFE/PTFE +15% GLASS FIBER.

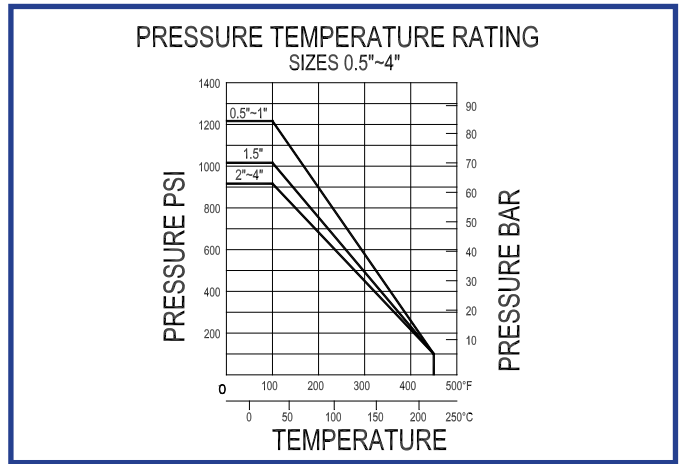


STOCK CODE	SIZE	A (MM)	B (MM)	C (MM)	D (MM)	E (MM)	F (MM)
VTB-V2W112	1/2"	9.5	12.7	20.0	89.0	52	100
VTB-V2W34	3/4 "	15.9	19.1	20.0	101.0	57	131
VTB-V2W1	1"	22.2	25.4	20.0	114.0	60	131
VTB-V2W112	1 1/2"	35.0	38.2	20.0	140.0	90	187
VTB-V2W2	2"	47.6	50.8	20.0	156.0	102	187
VTB-V2W212	2 1/2"	60.2	63.4	20.0	197.0	140	260
VTB-V2W3	3"	73.0	76.2	20.0	229.0	155	260
VTB-V2W4	4"	97.4	101.6	20.0	241.0	180	290

**THREE WAY MULTI-PORT BALL VALVE BUTT WELD ENDS STAINLESS STEEL 316, 316L**



- HYGIENIC CONSTRUCTION.
- SUITABLE FOR PNEUMATIC / ELECTRICAL ACTUATION MOUNTED ON ISO 5211 FLANGE.
- LONG WELDING ENDS SUITABLE FOR ORBITAL WELDING.
- (T,L, +) = PORT OPTIONS AVAILABLE.
- ANTI-BLOWOUT STEM DESIGN.
- AVAILABLE WITH ANY FITTING OR FLANGE CLAMP (RJT) IDF\SMS\DIN\ISO\ASA.
- BALL ENCAPSULATED CAVITY SEAT PTFE/PTFE +15% GLASS FIBER.
- DIN-3337 / ISO-5211 MOUNTING HOLE LAYOUT



STOCK CODE	SIZE	ISO – 5211	A (MM)	B (MM)	C (MM)	D (MM)	E (MM)	F (MM)	G (MM)
CTB-V3W12	1/2"	F03/F04	9.5	12.7	20.0	118.0	78	44.5	121
CTB-V3W34	3/4 "	F03/F04	15.8	19.1	20.0	127.0	82	48.0	121
CTBV3W1	1"	F04/F05	22.2	25.4	25.0	152.4	90	59.0	137
CTB-V3W112	1 ½"	F05/F07	35.0	38.2	25.0	175.0	110	72.0	182
CTBV3W2	2"	F05/F07	47.6	50.8	25.0	190.0	115	82.0	182
CTB-V3W212	2 ½"	F07/F10	60.0	63.4	25.0	228.0	108	100.0	370
CTBV3W3	3"	F10/F12	73.0	76.2	25.0	260.0	134	125.5	400
CTBV3W4	4"	F10/F12	97.4	101.6	50.0	318.0	156	135.5	400