
Technical Information:

Diameters: Available from 1 1/2" – 3" OD.

Materials: All wetted parts are manufactured from 316L Stainless Steel. Ball is EPDM.

Specification: US3A, Weld, RJT, DIN, SMS, ISO, IDF.

Valve Ends: Clamp, Weld, Male, Female, Threaded.

Max Working Pressure: 14bar (200psi) 1 1/2" - 3".

Temperature: - 10 ° C to + 90 ° C (dependent on seal material)

Seal Material: EPDM, Silicone (Si), Nitrile (NBR), Viton.
Ball – Buna.

Surface Finish: ID/OD Brushed polish. ID Ra <0.8 µm,
OD Ra <0.6 µm

Working principle:

The HSS Stainless Steel Y ball check valve provides backflow prevention for stainless steel process lines.

When liquid under normal pressure enters the inlet of the HSS Y ball check valve, an elastomeric ball is pushed upward into the "Y" branch (lower pressure area) of the valve. When the liquid flow stops, the pressure within the valve equalizes, and the ball returns from the "Y" branch of the valve and rests itself against the smaller diameter of the valve near its inlet. Should a reverse flow situation occur, the opposing pressure of the fluid will seat the ball firmly against the inlet of the valve, preventing reverse flow. The valve operates in both a vertical or horizontal orientation.

We recommend this part to be used in conjunction with the HSS air blow check valve.

HSS HYGIENIC MINI STRAINER

Main Application:

The HSS mini strainer is used in hygienic applications where there is a requirement to remove larger, coarse material from the pipeline.

Technical Information:

Diameters: Available 1" & 1.5" OD. Other sizes available on request.

Materials: All wetted parts are manufactured from 316 Stainless Steel. Other parts 304.

Specification: 3A, Weld, RJT, DIN, SMS, ISO, IDF.

Strainer Ends: Clamp, Weld, Male, Female, Threaded.

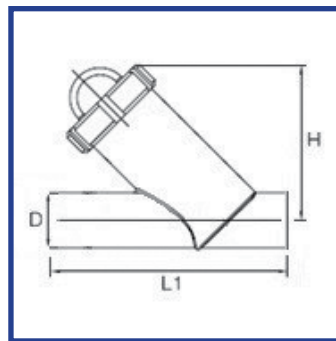
Element: 0.5mm, 1.0mm, 2.0mm and 3 mm.

Temperature: - 10 ° C to + 85 ° C

Seal Material: FPM

Surface Finish: ID/OD Brushed polish. ID Ra <0.8 µm,
OD Ra <0.6 µm

Please Note: HSS filters can be fitted with custom ends as per customers' requirements.



SIZE	D	L1 (mm)	H (mm)
1"	1" X 1.65 mm	120	115
1.5"	1.5" X 1.65mm	170	120