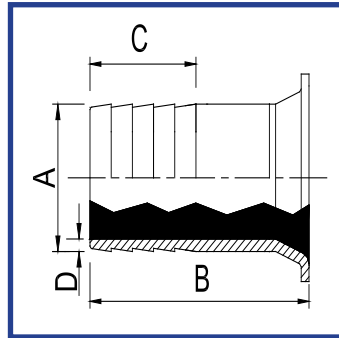
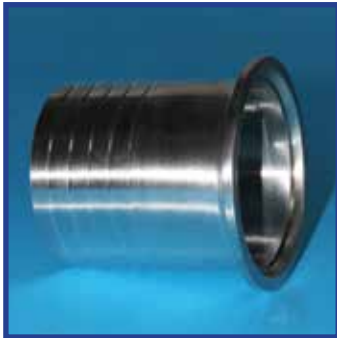


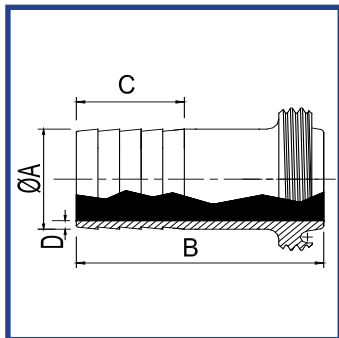
HYGIENIC HOSETAILS 16SWG 316

STOCK CODE	SIZE	A (MM)	B (MM)	C (MM)	D (MM)
HT1PE	1/2"	12.70	50.00	25.0	1.60
HT34PE	3/4"	19.05	50.00	25.00	1.60
HT1PE	1"	25.00	75.00	44.00	1.60
HT112PE	1 1/2"	38.00	75.00	44.00	1.60
HT2PE	2"	50.80	75.00	50.00	1.60
HT212PE	2 1/2"	63.50	75.00	50.00	2.00
HT3PE	3"	76.10	75.00	63.00	2.00
HT4PE	4"	101.60	100.00	63.00	2.00



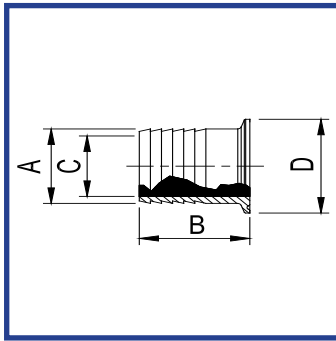
HYGIENIC RJT HOSETAIL LINER 316L

STOCK CODE	SIZE	A (MM)	B (MM)	C (MM)	D (MM)
RHL1	1"	25.00	87.00	44.00	1.60
RHL112	1 1/2"	38.00	87.00	44.00	1.60
RHL2	2"	50.80	87.00	50.00	1.60
RHL212	2 1/2"	63.50	87.00	50.00	2.00
RHL3	3"	76.10	87.00	63.00	2.00
RHL4	4"	101.60	112.70	63.00	2.00



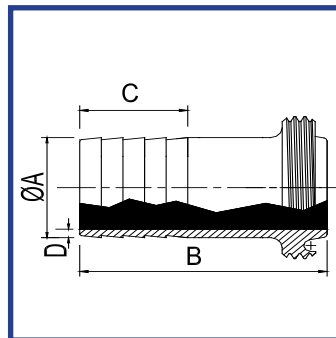
HYGIENIC RJT MALE HOSETAIL 316L

STOCK CODE	SIZE	A (MM)	B (MM)	C (MM)	D (MM)
N/A	1"	25.0	102.00	44.00	1.60
N/A	1 1/2"	38.0	102.00	44.00	1.60
N/A	2"	50.8	102.00	50.00	1.60
N/A	2 1/2"	63.5	102.00	50.00	1.60
N/A	3"	76.1	102.00	63.00	1.60
N/A	4"	101.6	127.00	63.00	2.00



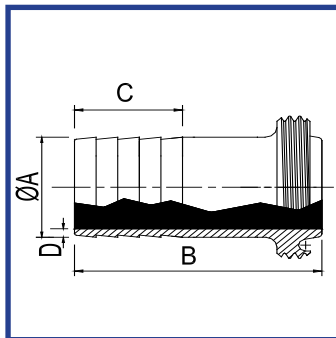
HYGIENIC FERRULED HOSETAIL 316L

STOCK CODE	SIZE	A (MM)	B (MM)	C (MM)	D (MM)
FHT12	1/2"	12.70	71.50	9.40	25.40
FHT34	3/4"	19.05	71.50	15.80	25.40
FHT1	1"	25.00	96.50	22.00	50.50
FHT112	1 1/2"	38.00	96.50	35.00	50.50
FHT2	2"	50.80	96.50	48.00	64.00
FHT212	2 1/2"	63.50	96.50	59.50	77.00
FHT3	3"	76.10	96.50	72.20	91.00
FHT4	4"	101.60	121.50	97.60	119.00



HYGIENIC DIN MALE HOSETAIL 316L

STOCK CODE	SIZE	A (MM)	B (MM)	C (MM)	D (MM)
DMH1	1"	25.00	104.00	44.00	1.60
DMH112	1 1/2"	38.00	108.00	44.00	1.60
DMH2	2"	50.80	110.00	50.00	1.60
DMH212	2 1/2"	63.50	115.00	50.00	2.00
DMH3	3"	76.10	120.00	63.00	2.00
DMH4	4"	101.60	154.00	63.00	2.00



HYGIENIC SMS MALE HOSETAIL 316L

STOCK CODE	SIZE	A (MM)	B (MM)	C (MM)	D (MM)
SMH1	1"	25.0	94.00	44.00	1.60
SMH112	1 1/2"	38.0	98.00	44.00	1.60
SMH2	2"	50.8	98.00	50.00	1.60
SMH212	2 1/2"	63.5	102.00	50.00	1.60
SMH3	3"	76.1	102.00	63.00	1.60
SMH4	4"	101.6	130.00	63.00	2.00