

HYGIENIC FILTER ELEMENTS 316L

FILTER PERFORATED ELEMENT - 1MM TO 5MM HOLES

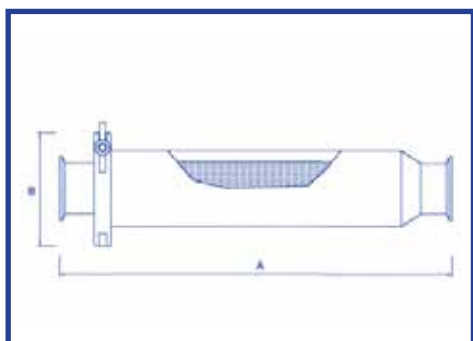
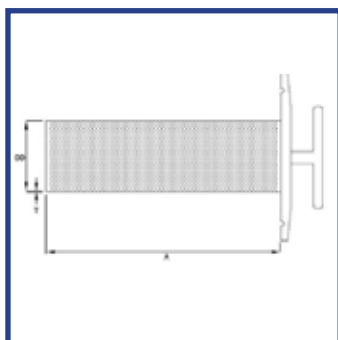
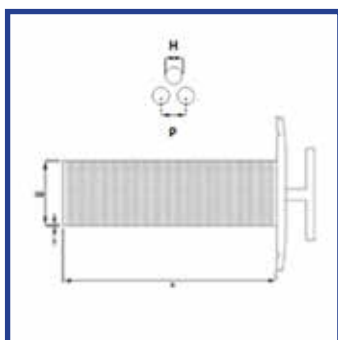
SIZE	A (MM)	H (MM)	USEFUL SURFACE %
1"	50.80	1-5MM	22.7% - 35.4%
1 1/2"	50.80	1-5MM	22.7% - 35.4%
2"	50.80	1-5MM	22.7% - 35.4%
3"	50.80	1-10MM	22.7% - 40.3%
4"	50.80	1-10MM	22.7% - 40.3%
6"	50.80	1-3MM	22.7% - 32.6%

WEDGE WIRE ELEMENT 50 TO 3000 MICRON

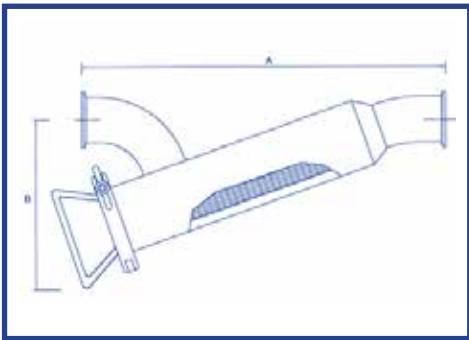
SIZE	A (MM)	B (MM)	MICRON (MM)	USEFUL SURFACE %
1"	25.40	0.05 - 3.00	50 - 3000	5% - 75%
1.5"	38.10	0.05 - 3.00	50 - 3000	5% - 75%
2"	50.80	0.05 - 3.00	50 - 3000	5% - 75%
3"	63.50	0.05 - 3.00	50 - 3000	5% - 75%
4"	76.20	0.05 - 3.00	50 - 3000	9% - 13%

HYGIENIC IN LINE FILTER 316L

ENDS		O.D. SIZE		
		1"	1 1/2"	2"
WELD ENDS	A (MM)	355.00	355.00	355.00
	B (MM)	130.00	130.00	130.00
TRI CLAMP FERRULE	A (MM)	398.00	398.00	398.00
	B (MM)	130.00	130.00	130.00
RJT M/M	A (MM)	412.00	412.00	412.00
	B (MM)	130.00	130.00	130.00
IDF M/M	A (MM)	398.00	398.00	398.00
	B (MM)	130.00	130.00	130.00
SMS M/M	A (MM)	383.00	383.00	383.00
	B (MM)	130.00	130.00	130.00
DIN M/M	A (MM)	413.00	413.00	413.00
	B (MM)	130.00	130.00	130.00

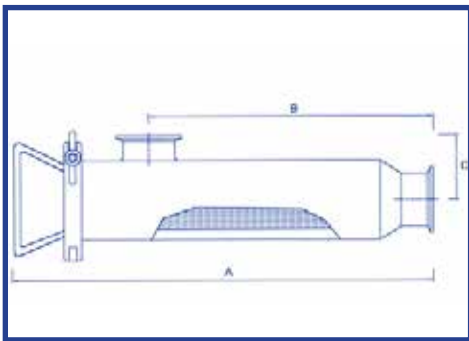


HYGIENIC Y-TYPE FILTER 316L



ENDS		O.D. SIZE				
		1"	1 1/2"	2"	2 1/2"	3"
WELD ENDS	A (MM)	335.00	353.00	376.00	473.00	396.00
	B (MM)	185.00	185.00	185.00	185.00	185.00
TRI CLAMP FERRULE	A (MM)	376.00	394.00	397.00	518.00	436.00
	B (MM)	185.00	185.00	185.00	185.00	185.00
RJT M/M	A (MM)	382.00	400.00	403.00	520.00	438.00
	B (MM)	185.00	185.00	185.00	185.00	185.00
IDF M/M	A (MM)	376.00	394.00	397.00	518.00	436.00
	B (MM)	185.00	185.00	185.00	185.00	185.00
SMS M/M	A (MM)	374.00	400.00	399.00	532.00	445.00
	B (MM)	185.00	185.00	185.00	185.00	185.00
DIN M/M	A (MM)	384.00	410.00	411.00	548.00	445.00
	B (MM)	185.00	185.00	185.00	185.00	185.00

HYGIENIC 90 DEGREE FILTER 316L



ENDS		O.D. SIZE				
		1"	1 1/2"	2"	2 1/2"	3"
WELD ENDS	B (MM)	285.00	278.00	273.00	307.00	266.00
	C (MM)	41.00	41.00	41.00	104.00	63.00
TRI CLAMP FERRULE	B (MM)	306.00	299.00	294.00	320.00	281.00
	C (MM)	62.00	62.00	62.00	125.00	84.00
RJT M/M	B (MM)	312.00	305.00	300.00	320.00	275.00
	C (MM)	68.00	68.00	68.00	129.00	89.00
IDF M/M	B (MM)	306.00	299.00	294.00	322.00	281.00
	C (MM)	62.00	62.00	62.00	125.00	84.00
SMS M/M	B (MM)	304.00	301.00	296.00	328.00	287.00
	C (MM)	60.00	64.00	64.00	131.00	90.00
DIN M/M	B (MM)	314.00	311.00	308.00	341.00	305.00
	C (MM)	70.00	74.00	76.00	144.00	108.00