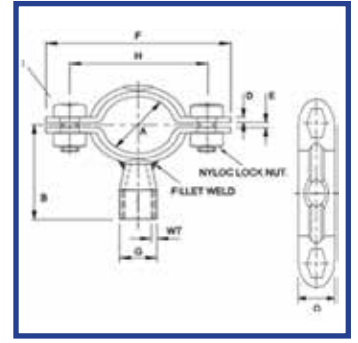
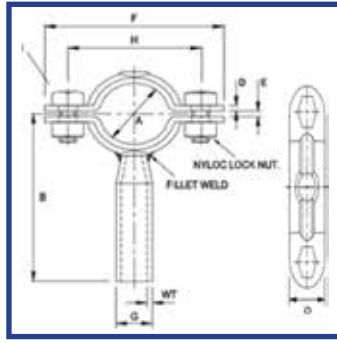


ANTI-VIBRATION PIPE CLIP C/W 12MM TUBE STEAM
ANTI-VIBRATION PIPE CLIP C/W M10 BOSSED STEAM


STOCK CODE	SIZE O.D.	SIZE NOMIAL BORE	SIZE DIN	A (MM)	TUBE STEM B (MM)	BOSSED STEM B (MM)	D	E	TUBE STEM G-WT	BOSSED STEM G-WT	I
PCP12	½"	-	DN10	12.70	90	28	3.00	3.00	19.30 / 1.6.	24.5	M8
PCP34	¾"	-	DN15	19.05	90	28	3.00	3.00	19.30 / 1.6.	24.5	M8
PCP1	1"	¾" NB	DN20	25.40	90	28	3.00	3.00	19.30 / 1.6.	24.5	M8
N/A	1 ¼"	1" NB	DN30	31.80	90	28	3.00	3.00	19.30 / 1.6.	24.5	M8
PCP112	1½"	-	-	43.00	90	28	3.00	3.00	19.30 / 1.6.	24.5	M8
N/A	1 ¾"	1 ¼" NB	DN40	47.00	90	28	3.00	3.00	19.30 / 1.6.	24.5	M8
PCP2	2"	1 ½" NB	DN50	50.80	90	28	3.00	3.00	19.30 / 1.6.	24.5	M8
PCP212	2½"	2" NB	DN60	63.50	90	28	3.00	3.00	19.30 / 1.6.	24.5	M8
N/A	-	-	DN65	-	90	28	3.00	3.00	19.30 / 1.6.	24.5	M8
PCP3	3"	2 ½" NB	-	76.20	90	28	3.00	3.00	19.30 / 1.6.	24.5	M8
N/A	3 ½"	3" NB	-	-	90	28	3.00	3.00	19.30 / 1.6.	25.5	M8
PCP4	4"	-	DN100	101.60	90	28	3.00	3.00	19.30 / 1.6.	24.5	M8
N/A	-	4" NB	-	120.00	90	28	3.00	3.00	19.30 / 1.6.	24.5	M8
PCP5	5"	-	-	129.00	130	28	3.00	3.00	19.30 / 1.6.	24.5	M8
PCP6	6"	-	-	154.00	140	28	3.00	3.00	19.30 / 1.6.	24.5	M8
N/A	-	6" NB	-	168.28	150	28	3.00	3.00	19.30 / 1.6.	24.5	M8
PCP8	8"	-	DN200	204.00	160	28	3.00	3.00	19.30 / 1.6.	24.5	M8
PCP10	10"	-	DN250	254.00	180	28	3.00	3.00	19.30 / 1.6.	24.5	M8
PCP12"	12"	-	DN300	304.00	190	28	3.00	3.00	19.30 / 1.6.	24.5	M8

LARGE RANGE OF CONNECTIONS AVAILABLE ON REQUEST